

FiberLuminator™ RND Owner's Manual

(for above-ground pools)

IMPORTANT SAFETY INSTRUCTIONS

READ AND FOLLOW ALL INSTRUCTIONS

SAVE THESE INSTRUCTIONS

⚠ WARNING

Before installing this product, read and follow all warning notices and instructions accompanying this system. Failure to follow safety warnings and instructions can result in severe injury, death, and property damage. Call (800) 831-7133 for additional free copies of these instructions

⚠ WARNING

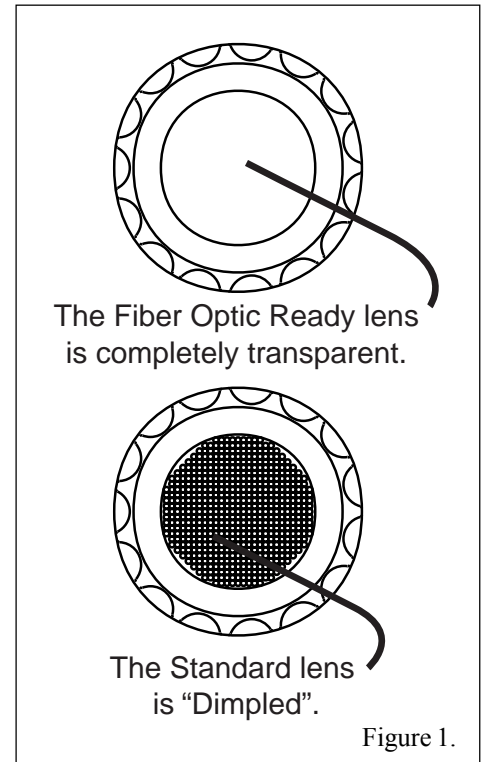
THIS IS NOT A TOY. Do not hang on top rail adapter assembly or twist excessively as damage to assembly may occur. Sharp glass or plastic pieces from damaged light adapter cup can create a hazard which could result in serious injury to pool users, and may also cause property damage. Do not pull or hang onto perimeter cable. Loose cable can cause a choking or entrapment hazard which could result in death or serious injury to pool users.

I. BEFORE YOU BEGIN

This product is designed for use with the AquaLuminator/Quasar above-ground light only. Your FiberLuminator fiber optic system may require the purchase of a FiberLuminator-ready AquaLuminator/Quasar (P/N 98605200) or an upgrade of the AquaLuminator/Quasar bulb body (P/N 69100000). The FiberLuminator will not provide the proper light output without the upgraded bulb body. You can identify a "Fiber Optic ready" bulb body by examining the lens detail; see Figure 1. The FiberLuminator RND Track Kit is also required (P/N 840182).

II. INSTALLATION

- A. Install above-ground light or bulb body upgrade per instructions provided with above-ground light.
- B. For ease of installation, drain pool until water level is just above the bottom of the skimmer port.
- C. Clean the fiber optic cable (front side) with rubbing (isopropyl) alcohol.



Pentair Pool Products

1620 Hawkins Ave., Sanford, NC 27330 • (919) 774-4151
10951 West Los Angeles Ave., Moorpark, CA 93021 • (805) 523-2400



D. Installing the top rail adapter.

1. Select the location for the top rail adapter. Place the top rail adapter to either side of the vertical center line of the light, allowing the adapter lens to be easily positioned directly in front of the center of the above-ground light lens; see Figure 3.
2. Lay the cable out around the edge of the pool with the adapter assembly close to the proper position.
3. Place the piece of double-sided foam tape on the inside face of the front wall of the top rail adapter.
4. Place top rail adapter onto the top rail and lock into place with retaining wedges, as shown in Figure 4. The front of the adapter should be flush with the top rail and far enough up onto the rail to be firmly secure.

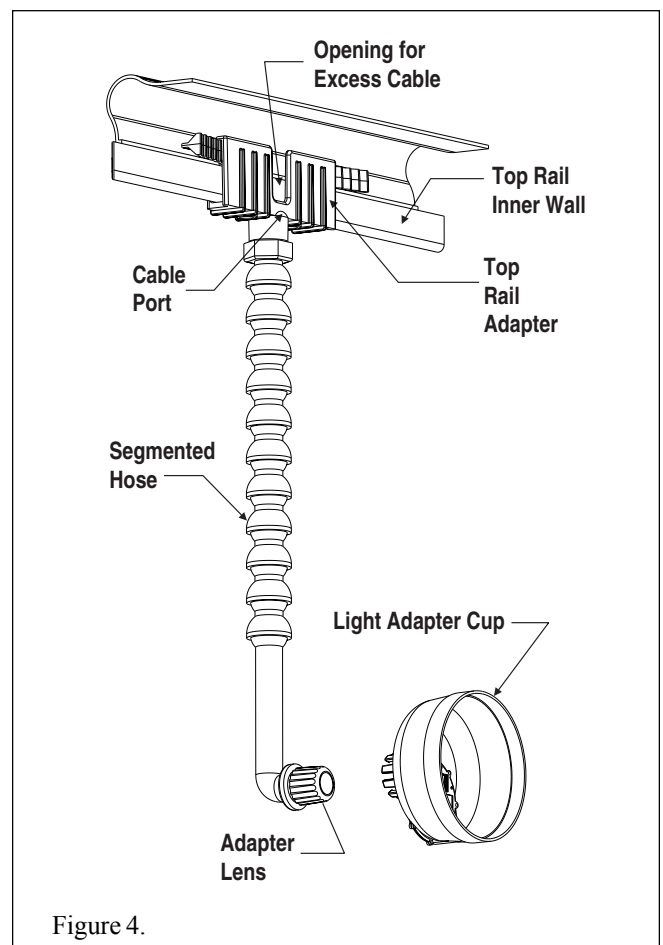
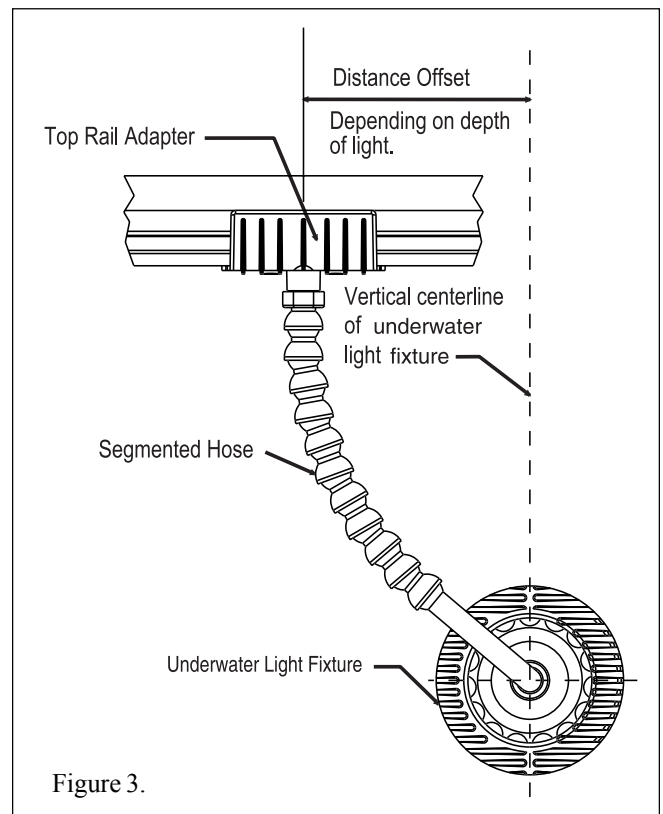
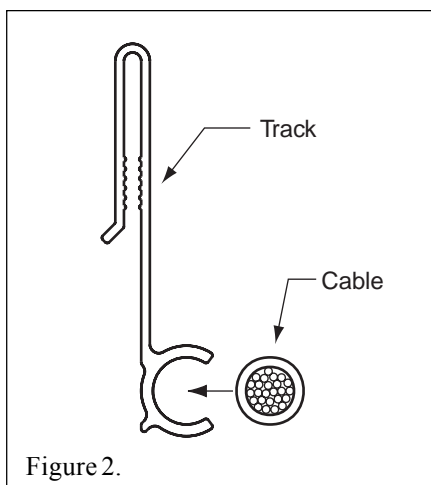
E. Installing the cable.

1. Install the FiberLuminator RND Track Kit (P/N 840182).

NOTE

When installing the FiberLuminator Track Kit, be sure the thickness of the pool wall and overlapping liner is no more than 0.1 in. thick.

2. Starting from either side of the top rail adaptor, snap the RND cable into the RND track. See Figure 2.
3. When approaching the ledge cover, you may reach the end of the track. Simply continue the cable to the next section of the track.
4. Continue this process until you are half way around the pool, then repeat the process on the other side until the cables mate on the opposite side of the pool.



F. Securing excess cable (for 80 and 90 ft. models only).

1. Position extra top rail adapter so that extra cable is coming out opening in back of adapter. See Figure 4.
2. Place top rail adapter onto top rail and lock into place with retaining wedges as shown in Figure 4. The front of the adapter should be flush with the top rail and far enough up onto the rail to be firmly secure.
3. Use cable retaining clips and cable ties to hide the extra cable underneath the top rail as shown in Figure 5. Fold the cable back in 2 to 3 foot sections and secure with clip/cable tie assemblies.

G. Snap the light adapter cup into position on adapter lens.

III. OPERATION

⚠ WARNING!

THIS IS NOT A TOY. Do not hang on top rail adapter assembly or twist excessively as damage to assembly may occur. Sharp glass or plastic pieces from damaged light adapter cup can create a hazard which could result in serious injury to pool users, and may also cause property damage. Do not pull or hang onto perimeter cable. Loose cable can cause a choking or entrapment hazard which could result in death or serious injury to pool users.

⚠ WARNING!

Operating the FiberLuminator perimeter lighting system does reduce the amount of light in the pool. Additional light sources may be required to provide adequate lighting of your pool for nighttime use. Failure to provide adequate lighting can result in swimming and diving hazards that can cause severe injury or death.

A. To enjoy perimeter lighting, position the light adapter cup in front of the above-ground light by bending the segmented hose until the cup is in position. The edge of the cup will fit into the groove between the light lens and flow director. The tension of the segmented hose will hold the cup in place. **DO NOT** excessively twist segmented hose or position adapter cup by pulling on the cup itself.

B. Select a color by rotating the color wheel on the light adapter cup until the desired color appears and the wheel clicks into position.

C. To turn off perimeter lighting, simply slip the cup back out of the light and bend the assembly out of the light path. Position the adapter assembly in an inconspicuous location such as under the top rail, against the pool wall, so that the assembly will not get damaged. Remember to move the assembly by bending the segmented hose only. If the pool sees heavy use the light adapter cup can be carefully removed to further ensure no damage occurs to the assembly.

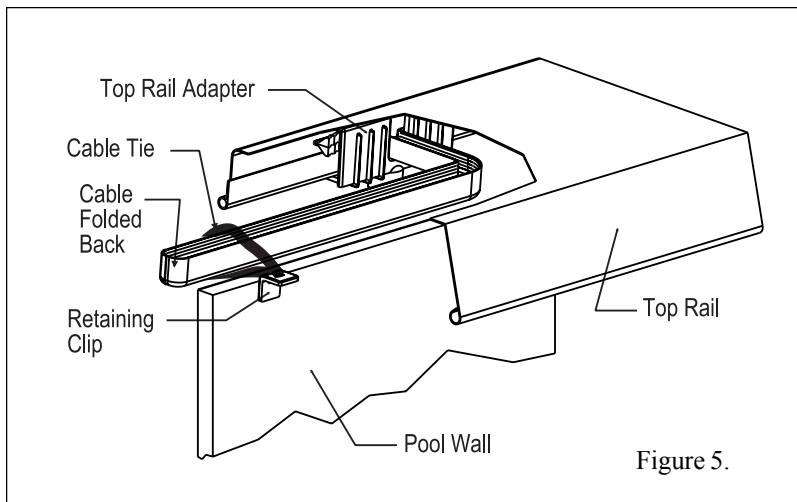


Figure 5.

IV. REPLACEMENT PARTS

1. Light adapter cup w/color wheel P/N 840052
2. FiberLuminator RND Track Kit P/N 840182

SAVE THESE INSTRUCTIONS.

Pentair Pool Products

1620 Hawkins Ave., Sanford, NC 27330 • (919) 774-4151
10951 West Los Angeles Ave., Moorpark, CA 93021 • (805) 523-2400

