

Flowmeter Installation Instructions for LDF 400 Series

Important Notice



Attention Installer.

This manual contains important information about the installation, operation and safe use of this product. This information should be given to the owner/operator of this equipment.

Call (800) 831-7133 for additional free copies of this manual.

Section I. General

1. Pentair Flowmeters should not be exposed to more than 240° F. and 150 PSI.
2. Only hand tightening is required on threaded nuts. No pliers or other tools should be used for any reason.
3. To obtain best possible reading, Flowmeter should be installed in an exact vertical plane with a minimum of one foot of straight uninterrupted pipe on the upstream and downstream ends.
4. Proper pipe alignment is essential. Misalignment will put excessive stress on the Flowmeter.
5. Flowmeter models with threaded brass ends should *not* be connected to fittings with plastic female threads as overtightening may crack the plastic fitting.
6. For solar applications, install Flowmeter on cool side of line.

CAUTION

The Polysulfone Flowmeter body is adversely affected by ultraviolet light. Therefore, complete care should be taken to protect it from direct sunlight situations.

Section II. Installation

1. Remove brass Flowmeter ends and solder or thread them to pipe. Assemble body to ends making sure both o-ring seals are in place and free of debris.
2. If installation is being made in an existing system, models with threaded ends should be engaged in mating system fittings at both ends to determine length of pipe to be removed. Flowmeters with solder connection ends will require removal of system tubing for a length equal to the total length of the Flowmeter assembly **MINUS** 2 in. This will allow 1 in. at each end for insertion of the copper tubing into the Flowmeter ends.

CAUTION

If installation requires cemented plastic slip connectors on one side of the coupling, be sure to allow enough time for the cement (or solvent) to dry and for the fumes to dissipate before the meter is installed. Cracking or cracking may occur in the Flowmeter assembly if it comes in contact with incompatible materials or fumes.

Assembly Picture on Other Side

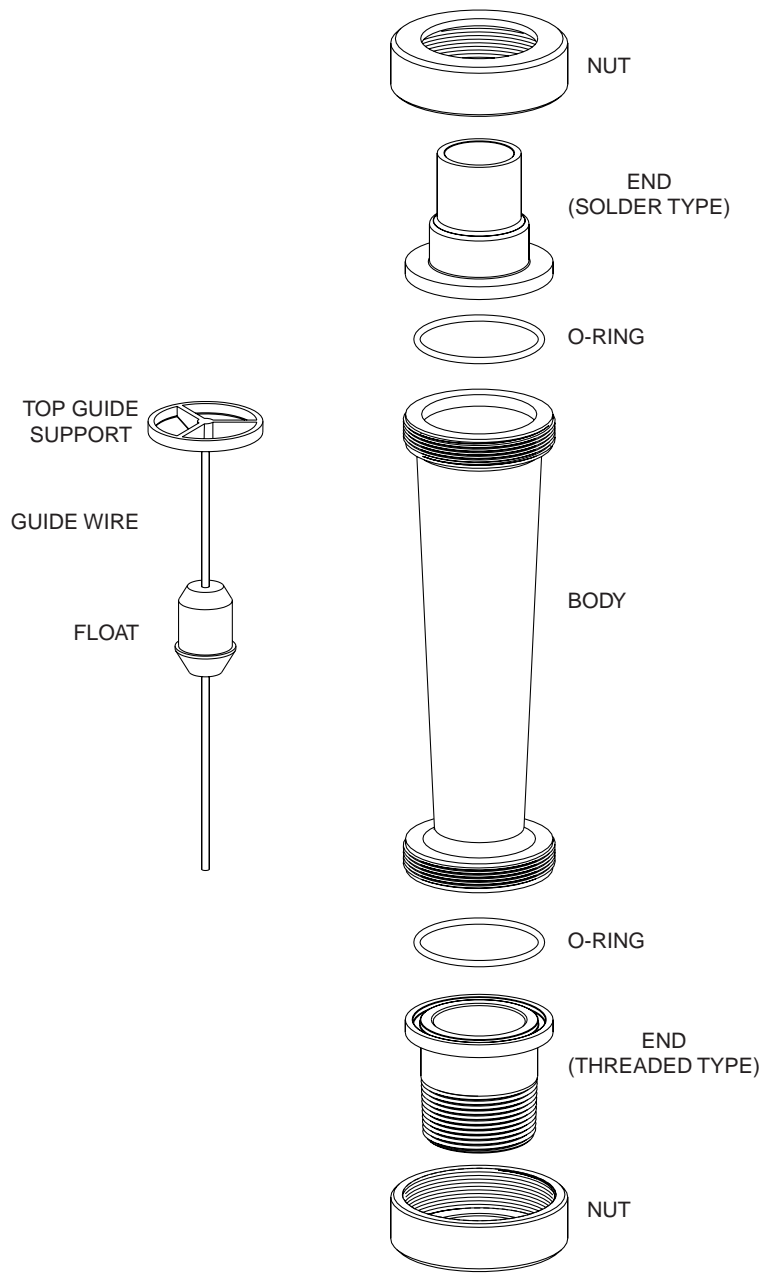
Pentair Pool Products

1620 Hawkins Ave., Sanford, NC 27330 • (919) 774-4151
10951 West Los Angeles Ave., Moorpark, CA 93021 • (805) 523-2400

 **Pentair**
Pool Products[®]
Because *reliability* matters most

Section III. Maintenance

1. Pentair Flowmeters are designed for easy cleaning and maintenance.
2. Unscrew knurled nuts on top and bottom of Flowmeter and slide body away from plumbing. Invert and shake the Flowmeter so the float gently taps the top guide support out of its seat. The top guide support, float and guide wire can then be removed to clean body with a mild soap solution.
3. To reassemble, make certain the float is replaced with the pointed end facing down. Insert guide wire through the float and into the center hole in the bottom guide support. Then push in top guide support onto the guide wire and into the recess in the top of the body until flush with the body end. Make sure both o-ring seals are installed and free of debris prior to reconnecting the body to the ends.
4. Hand tighten the nuts on both ends.



SAVE THESE INSTRUCTIONS.