



## SR-4000/SR-6000 Series™ Chemical Feed Pumps



### ***Liquid Chemical Dispensing Systems***

Adding pool chemicals automatically or on a regular basis minimizes the high and low swings associated with intermittent manual chemical maintenance. The SR-4000 (single pump system) and SR-6000 (dual pump system, with separate control boards for each pump) are ideal for applications requiring daily chemical maintenance. With the ability to stack three pumps per drive, these systems can dose from one drop per minute to 70 gallons per day, with many increments in between. The SR-4000 and SR-6000 can operate as stand-alone units for periodic injection or maintenance, or in conjunction with automatic backwash controllers.

### **Standard Features**

- Systems consist of a peristaltic pump, an interval timer and a duration timer.
- Can be used for two separate chemicals or two separate locations.
- Either system can be plugged into a standard 115VAC electrical outlet with cord provided, or hardwired to 115VAC, 208VAC, or 230VAC.
- Can be operated on continuous setting and cycled by an automatic backwash controller.
- Wide range of interval choices and duration adjustments can handle almost any application.

# SR-4000/6000 Series™

## Chemical Feed Pumps



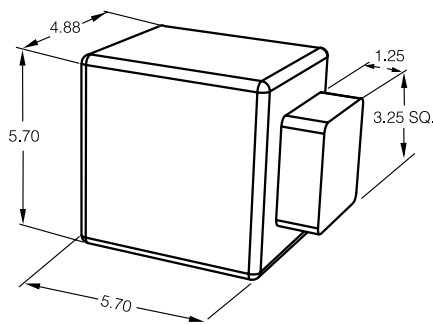
### Ordering Information

Catalog Number	Description	Approx. Ship Weight (lbs.)
SR-4000	Single Pump Chemical Dispenser	6
SR-6000	Dual Pump Chemical Dispenser	12

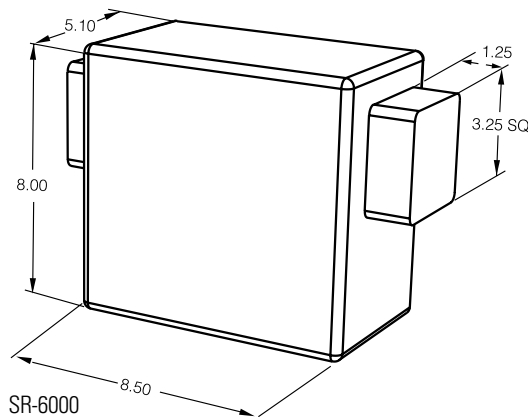
### Accessory Ordering Information

Catalog Number	Description	Approx. Ship Weight (lbs.)
41400-0001	Pump Assembly	1
41400-0026	Ptube, 1.5cc	1
41400-0027	Ptube, 2cc	1
41400-0024	Stacking Shaft for 2 Pump System	1
41400-0025	Stacking Shaft for 3 Pump System	1
41400-0021	Accessory Kit	2

### Outline Dimensions



SR-4000



SR-6000

All dimensions shown in inches.



1620 Hawkins Avenue  
 Sanford, NC 27330  
 Phone: 800-831-7133  
[www.pentaircommercial.com](http://www.pentaircommercial.com)  
[www.pentairpool.com](http://www.pentairpool.com)