



## SR-6000S Series™ Chemical Controller



### ***Good Chemistry, Great Controller***

Keeping your water chemistry in balance means your pool is always in top condition and safe for swimmers. Sta-Rite can help you keep it under control with the SR-6000S Programmable Chemical Controller with integrated pH and ORP sanitizer pumps.

### **Standard Features**

- Accurate and easy to use – state-of-the-art microprocessor controls
- Pumps included – two built-in peristaltic pumps eliminate retrofitting and system matching
- Programmable mixing times – adjustable for any size pool
- Programmable set-points – precise control of chemicals
- Selectable pH feeding – acid or base feed (liquid only)
- Superior two-year warranty
- Complete customer service and support

# SR-6000S Series™

## Chemical Controller

### ENGINEERING SPECIFICATIONS

#### Complete Programming

- Proportional feed
- On/off feeder times
- Mixing times
- pH set-point ( $\pm 5$ )
- ORP set-point ( $\pm 75$ )
- pH/ORP calibration
- Acid/base feed

#### Safety Features

- Password-protected programming
- pH/ORP LED alarm indicators
- Programmable overfeed lock-out
- Flow switch disables feeding in no-flow conditions

#### User Interface

##### • Display

Large LED display – visible from 20 feet

##### • Interface

Moisture-proof membrane overlay with soft-touch buttons

#### Specifications

##### • Measurement Range

pH - 4.32 – 9.78  
ORP - 0 – 999

##### • Pumps

pH - 33 gpd peristaltic\*  
ORP - 33 gpd peristaltic\*

\*Stackable to 99 gpd with pump upgrade

##### • Construction

Housing - Molded Polycarbonate NEMA type 4  
Flow Cell - Molded acrylic with PVC lid  
Probes - Industrial-molded PVC with 26 ml gel

##### • Dimension (H x W x D)

8.00 x 8.50 x 5.10 inches

##### • Weight

3 lbs.

#### Warranty/Support

- Two years on electronics, probes and flow cell
- Onsite dealer service
- In-depth operating manuals

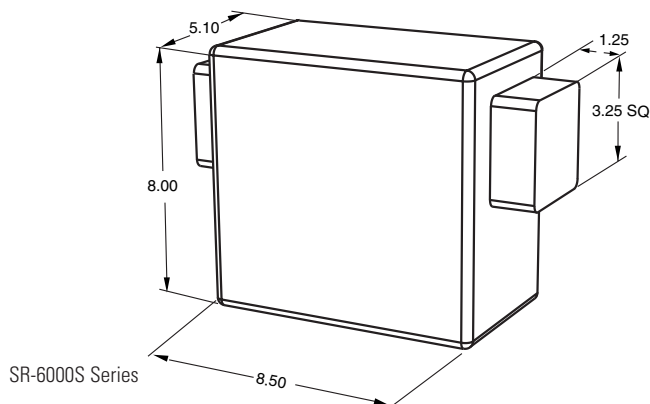
#### Ordering Information

Catalog Number	Description	Approx. Ship. Weight (lbs.)
SR-4000	Single Pump Chemical Dispenser	8
SR-6000	Dual Pump Chemical Dispenser	12
SR-6000S	Chemical Controller	14

#### Accessory Ordering Information

Catalog Number	Description	Approx. Ship. Weight (lbs.)
41400-0028	Ptube, 1cc	1

#### Outline Dimensions



All dimensions shown in inches.



Phone: 800-831-7133

Fax: 800-284-4151

[www.pentairpool.com](http://www.pentairpool.com)

[www.starite.com](http://www.starite.com)